

# RF Wall Mounted Touch Panel RW34



## Feature

- Backlight
- Glass interface(White & Black)
- Touch sensitive
- Adjust brightness & color temperature



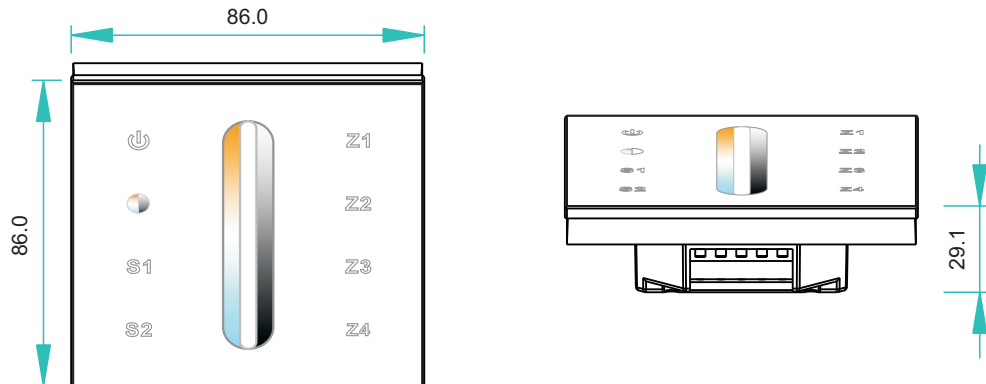
## Parameter

### Sender

Item NO. :RW34  
 Input voltage:100V-240VAC  
 Output:RF signal(434MHz/868MHz)

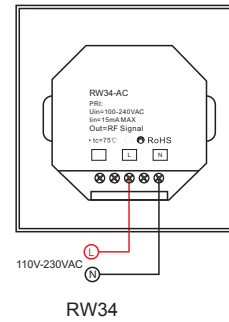


## Product Size

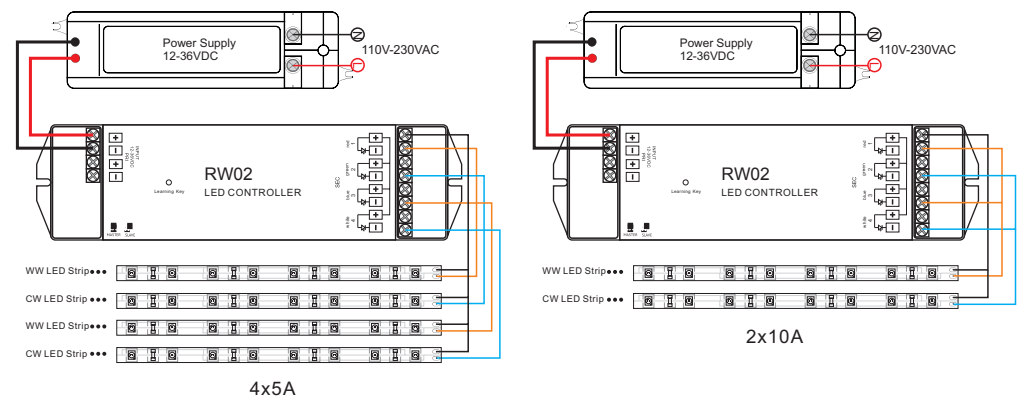


## Wiring diagram

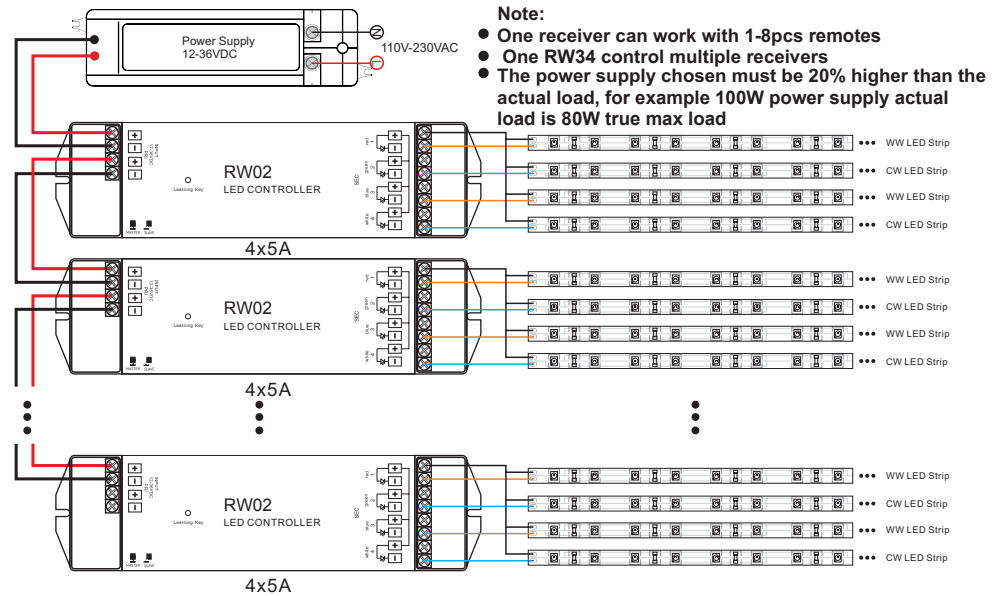
### 1)Sender Connection Diagram



### 2)Receiver Connection Diagram for Single Unit

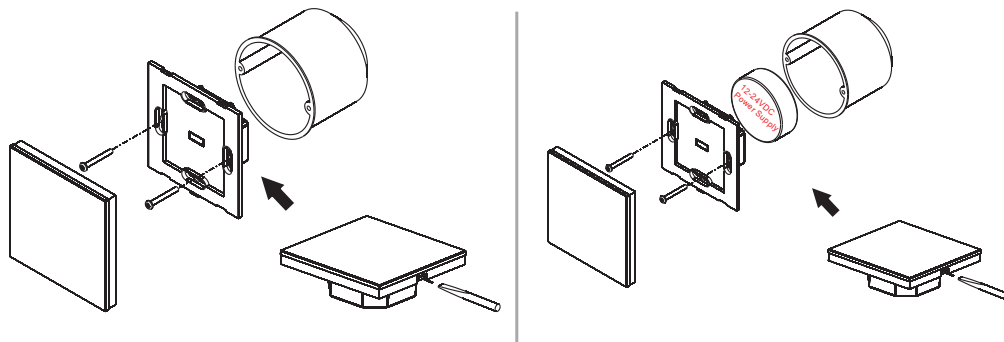


### 3)Receiver Connection Diagram for Multiple Units



- Note:**
- One receiver can work with 1-8pcs remotes
  - One RW34 control multiple receivers
  - The power supply chosen must be 20% higher than the actual load, for example 100W power supply actual load is 80W true max load

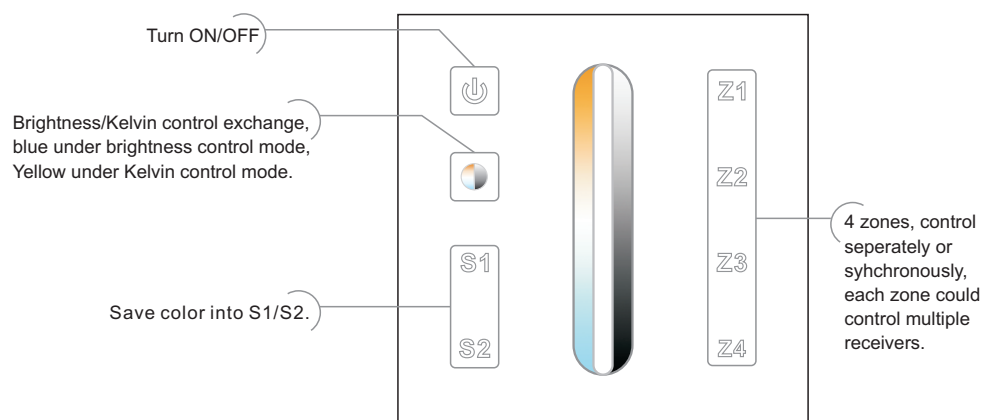
## Installation



SR-2830B-AC

SR-2830B-DC

## Description of buttons



## Operation

1. Switch  
Touch on/off button, all zones on/off, Blue when playing. Yellow when off.  
Once turn on, the default setting is under brightness control mode  
Touch zone button Z1/Z2/Z3/Z4 separately over 2 seconds, which will turn ON/OFF separately.  
The backlight blue is ON for the zone, yellow is OFF for the zone.
2. Learning ID with SR-1009 series  
Re: Click learning button on RF receiver (SR-1009)→  
Short Touch a zone button Z1 or Z2 (sender SR-2830B)→Touch color slider  
The light flicker means ID learnt successfully.
3. Save and recall  
Save: Touch color slider to get a color→  
Hold any button of S1 or S2 over 2 seconds under 4 zones work together  
The light flick means successfully saved.  
Recall: Short touch button S1 or S2 →Recall the color saved.

## Note:

- This controller is RF signal to receivers, no need cable.
- AC version no need driver, working directly at electric supply 100-240VAC.  
The DC version need a driver 12/24V.

## Attention

- 1) The product shall be installed with qualified person
- 2) IP20. Please avoid the sun and rain. When installed outdoors, please ensure it is mounted in a water proof enclosure.
- 3) Always be sure to mount this unit in an area with proper ventilation to avoid overheating.
- 4) Please check if the output voltage of any LED power supplies used comply with the working voltage of the product.
- 5) Never connect any cables while power is on and always assure correct connections to avoid short circuits before switching on.
- 6) Please ensure that the cable is secured tightly in the connector
- 7) For updated information please consult your supplier.

## Warranty Agreement

- 1) We provide lifelong technical assistance with this product:
  - 3-year warranty. We print produce date on every products, for example :1125 means year 2011, week 25. The warranty is for free repair or replacement and covers manufacturing faults only.
  - For faults beyond the 3-year warranty we reserve the right to charge for time and parts.
- 2) Limited Warranty
  - Any defects caused by wrong operation.
  - Any damages caused by unauthorized removal, maintenance, modifying, incorrect connection and replacement of chips.
  - Any damages due to transportation, vibration etc. after purchase.
  - Any damages caused by earthquake, fire, lightning, pollution and abnormal voltage.
  - Any damages caused by negligence, inappropriate storing at high temperatures and humidity or near harmful chemicals.
- 3) Repair or replacement as provided under this warranty is the exclusive remedy to the customer.