

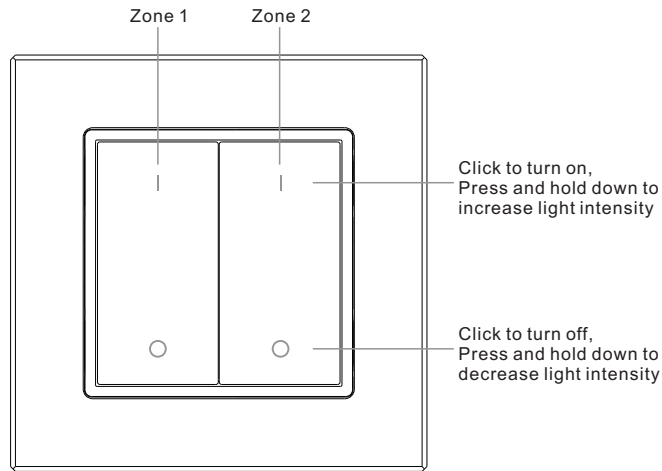
# RF Single Color Wall Mounted Controller

09.280K2.04108



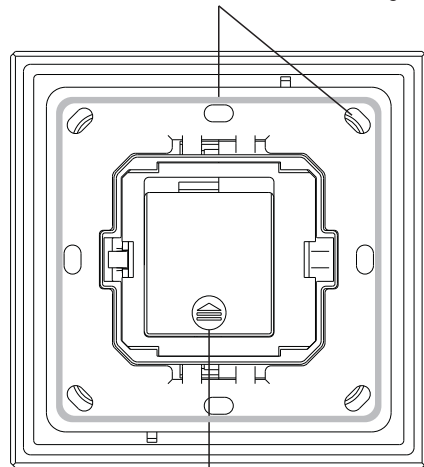
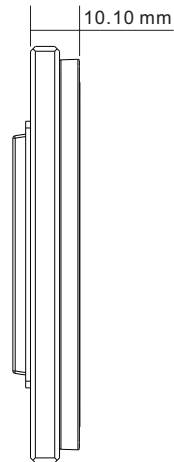
**Important:** Read All Instructions Prior to Installation

## Function introduction



Front side

The remote control can be fixed on the wall with 3M glue or screw.



Battery: CR2430  
Before the first use, please open the battery cover and remove the protective film

Back side

## Product Data

Output	RF signal
Operation Frequency	868/915/434MHz
Power Supply	3V(1xCR2430 battery)
Operating temperature	0-40°C
Relative humidity	8% to 80%
Dimensions	86x86x14mm

- Control 2 zones of receiver separately
- Single color controller
- Compatible with all universal series RF receivers
- 1 receiver can be paired by max 8 different remote controls.
- Waterproof grade: IP20

## Safety & Warnings

- This device contains a button lithium battery that shall be stored and disposed properly.
- DO NOT expose the device to moisture.

## Operation

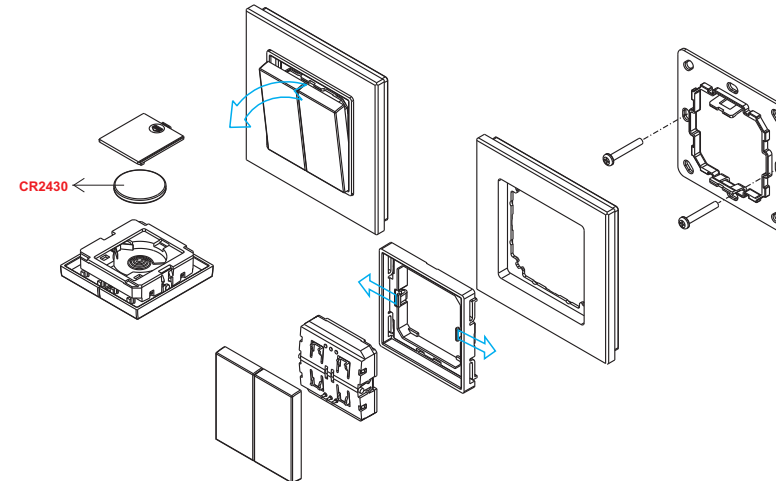
### 1. Pair with RF receivers:

Click "Learning Key" on RF receiver → Click | or ○ button of any zone on RF remote → LED lights connected with the receiver will flicker once → The receiver is paired with remote successfully.

### 2. How to delete the pairing:

Press and hold down "Learning Key" on the receiver for over 3 seconds until connected LED lights flicker twice, which means the pairing is deleted successfully.

## Installation

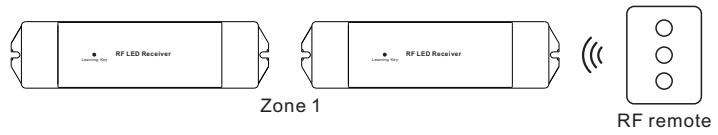


The key part of this controller is a universal, extremely rotary standard switch element that can be integrated in numerous frames by different manufactures as below list:

BEKER	S1, B1, B3, B7 glass
GIRA	Standard55, E2, Event, Esprit
JUNG	A500, Aplus
MERTEN	M-smart, M-Arc, M-Plan

**If you use multiple receivers, you have two choices:**

Option 1: have all the receivers in the same zone, like zone 1



Option 2: have each receiver in a different zone, like zone 1, 2

