

HDD2200



Application

For use in upgrade retrofit of trailing edge phase dimming controls, this dimmer will convert DALI control signals to the trailing edge drivers or transformers. It can realise savings on installation and wiring costs and will also reduce unnecessary waste of electronic equipment, making it an environmentally sound solution for a lighting control upgrade.

Features

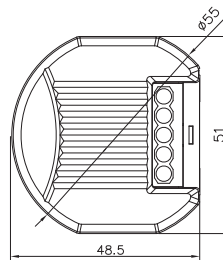
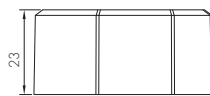
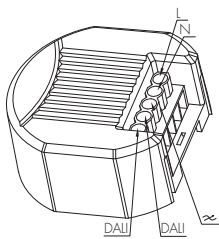
- DALI
- Over-heat Protection
- Over-load Protection
- 5 Year, 50,000hr Warranty



Technical Data

Dimming Range	Trailing edge dimming range 10% ~ 100%
Mounting Type	Built-in box 60mm or stand alone installation
Operating Voltage	220-240VAC 50Hz
Rated Load	200W(resistive); 200VA(capacitive)
Power Consumption	≤ 0.5W
DALI Power	2mA
Operating Temperature	Ta: -20~+50 C
Safety Standard	EN60669-1; EN60669-2-1
EMC Standard	EN55015, EN61547, EN61000-3-2, EN61000-3-3
DALI Standard	IEC62386-101; IEC62386-102; IEC62386-205
Certifications	Semko, CB, CE, EMC, RCM

Dimensions and Terminals



Wire Preparation

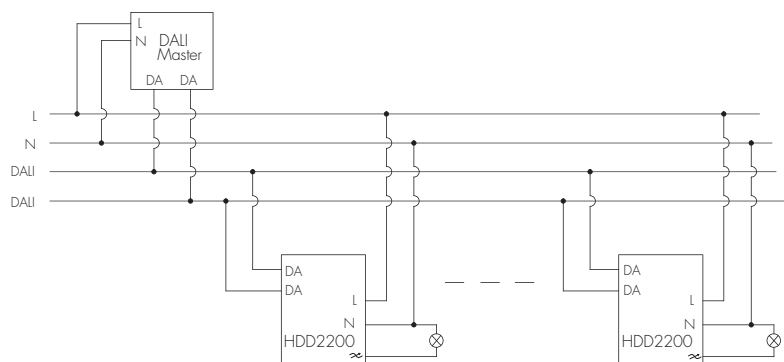


0.75 - 4mm²



Solid or Stranded wire type

Wiring Diagram



Optional Accessory : Strain-relief clip

